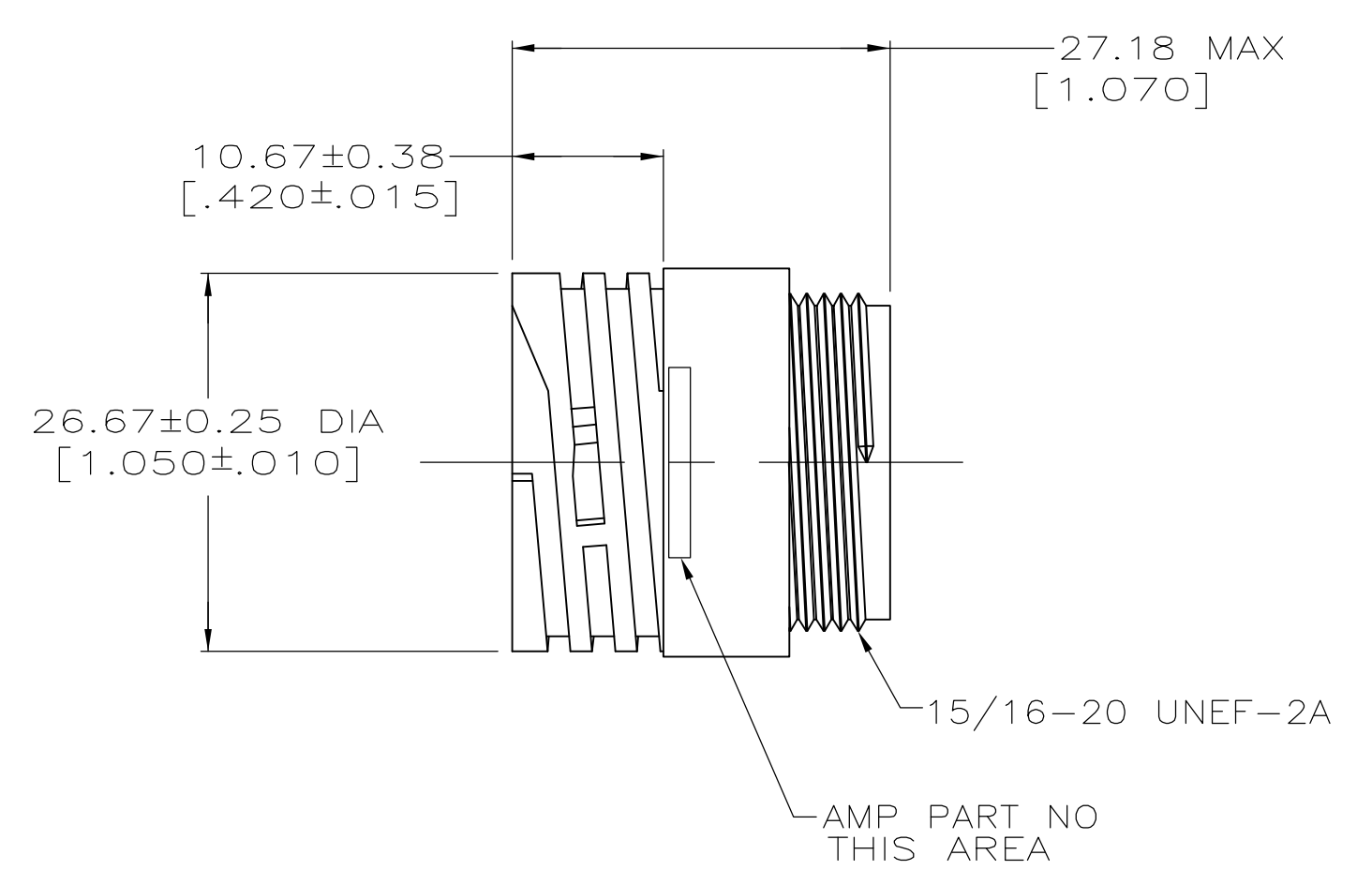
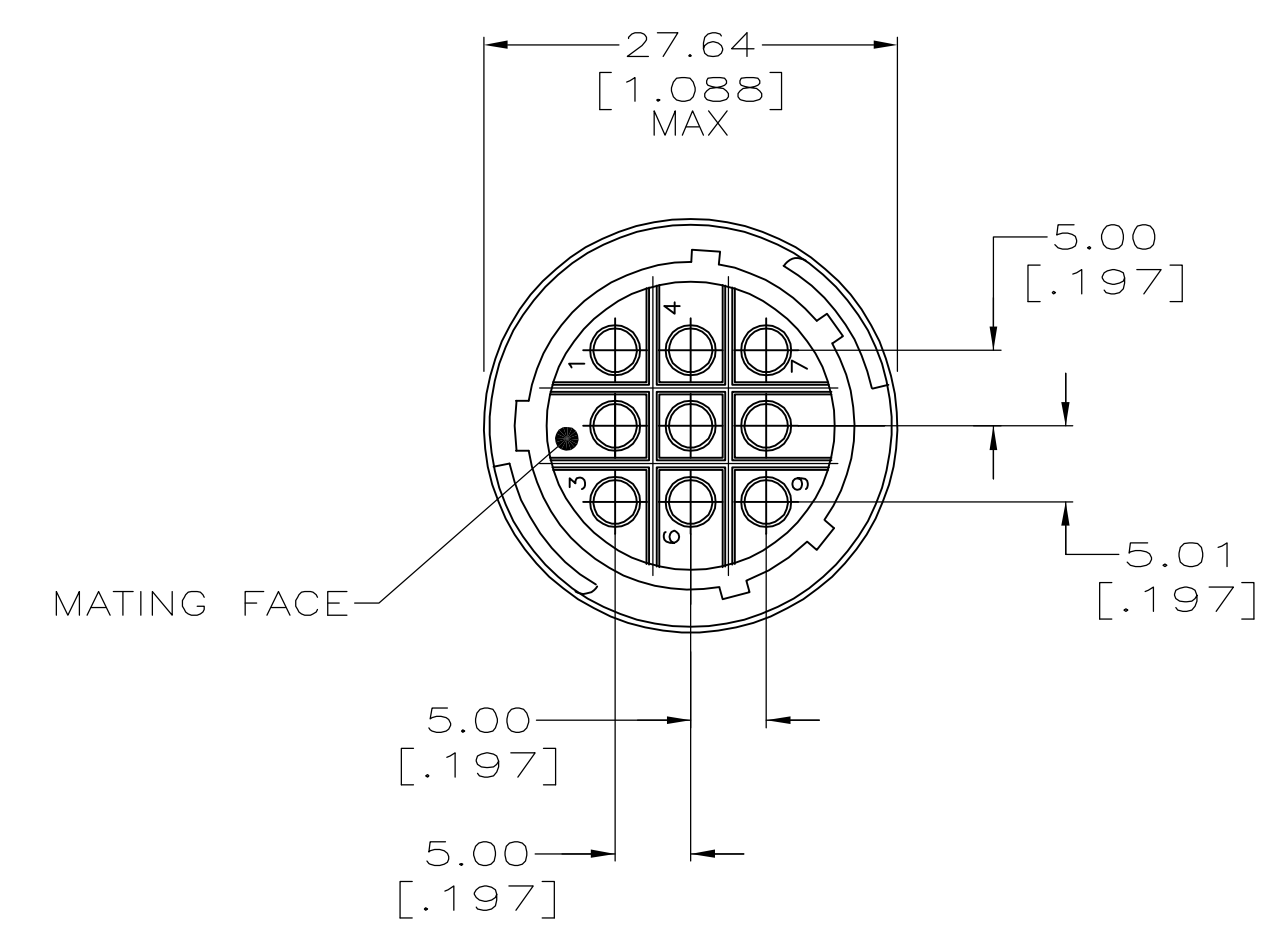


211769-1, -2, -4 & -5



211769-3

YES	FLANGE	211769-5
NO	FLANGE	211769-4
NO	FREE HANGING	211769-3
NO	FLANGE	211769-2
NO	FLANGE	211769-1
THREADED INSERTS	MOUNTING	PART NUMBER

1. CAVITY IDENTIFICATION ON FRONT AND REAR FACE.
 2. WILL ACCEPT NINE (9) MULTIMATE SOCKET CONTACTS.
- ⚠ 3.81[.150] MAXIMUM INSULATION DIAMETER.
 - ⚠ 2.54[.100] MAXIMUM INSULATION DIAMETER.

THIS DRAWING IS A CONTROLLED DOCUMENT.

DIMENSIONS:	TOLERANCES UNLESS OTHERWISE SPECIFIED:	DIN	09-24-94	Tyco Electronics Corporation Harrisburg, PA 17105-3608
mm [INCHES]		CHK	09-30-94	
	0 PLC ± -	APVD	10-03-94	NAME RECEPTACLE HOUSING, REVERSE SEX, SHELL SIZE 17, CPC
	1 PLC ± -	PRODUCT SPEC		
	1 PLC ± -	APPLICATION SPEC		SIZE CASE CODE DRAWING NO A1 00779 C=211769
	2 PLC ± 0.13 [.005]	RESTRICTED TO		
	2 PLC ± -	WEIGHT		CUSTOMER DRAWING SCALE 2:1 SHEET 1 OF 1 REV G
	3 PLC ± -			
	3 PLC ± -			
	4 PLC ± -			
	4 PLC ± -			
	ANGLES ± -			
	FINISH			